

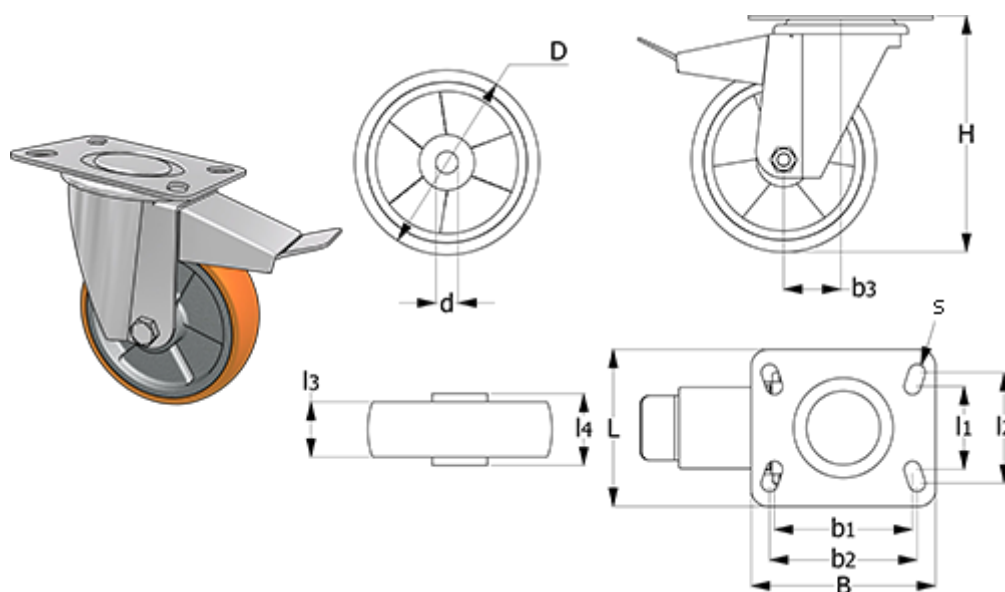
Data Sheet



Article number: 2314451711

Description: E+G Aluminiums wheel 451711
RE.F5-200-SSL-H turning plate wo/brake

Measures



B	= 140	H	= 250	Type	= RE.F5-200-SSL-H
b1	= 105	L	= 110	Weight (g)	= 3940
b2	= 105	l1	= 73		
b3	= 70	l2	= 87		
Code	= 451711	l3	= 50		
D	= 200	l4	= 55		
d	= 25	Rolling resistance (N)	= 3600		
Dynamic load (N)	= 7500	s	= 11		